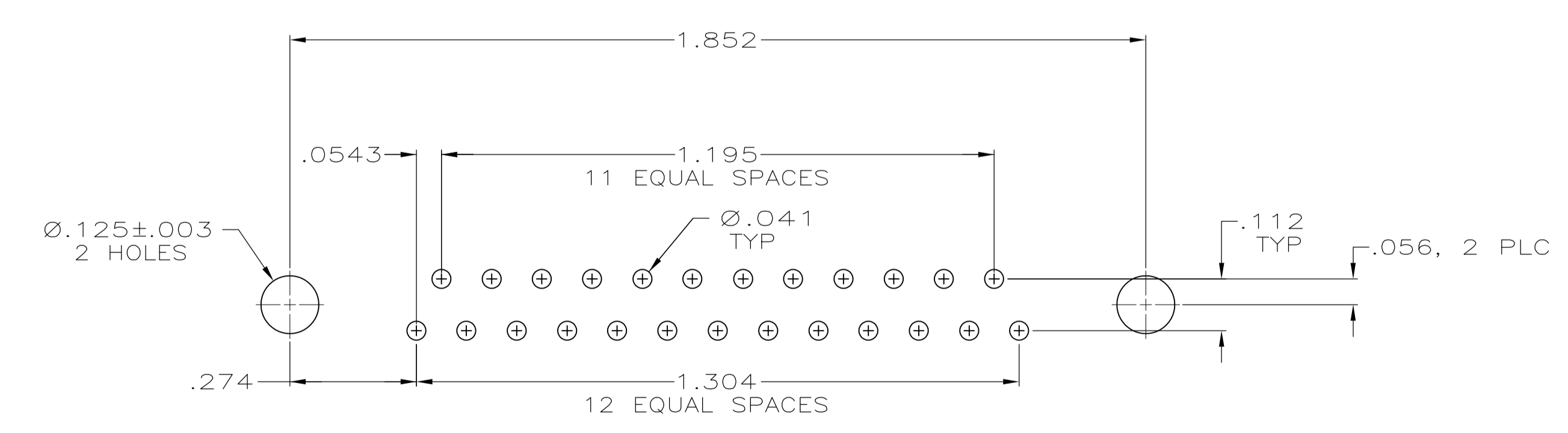
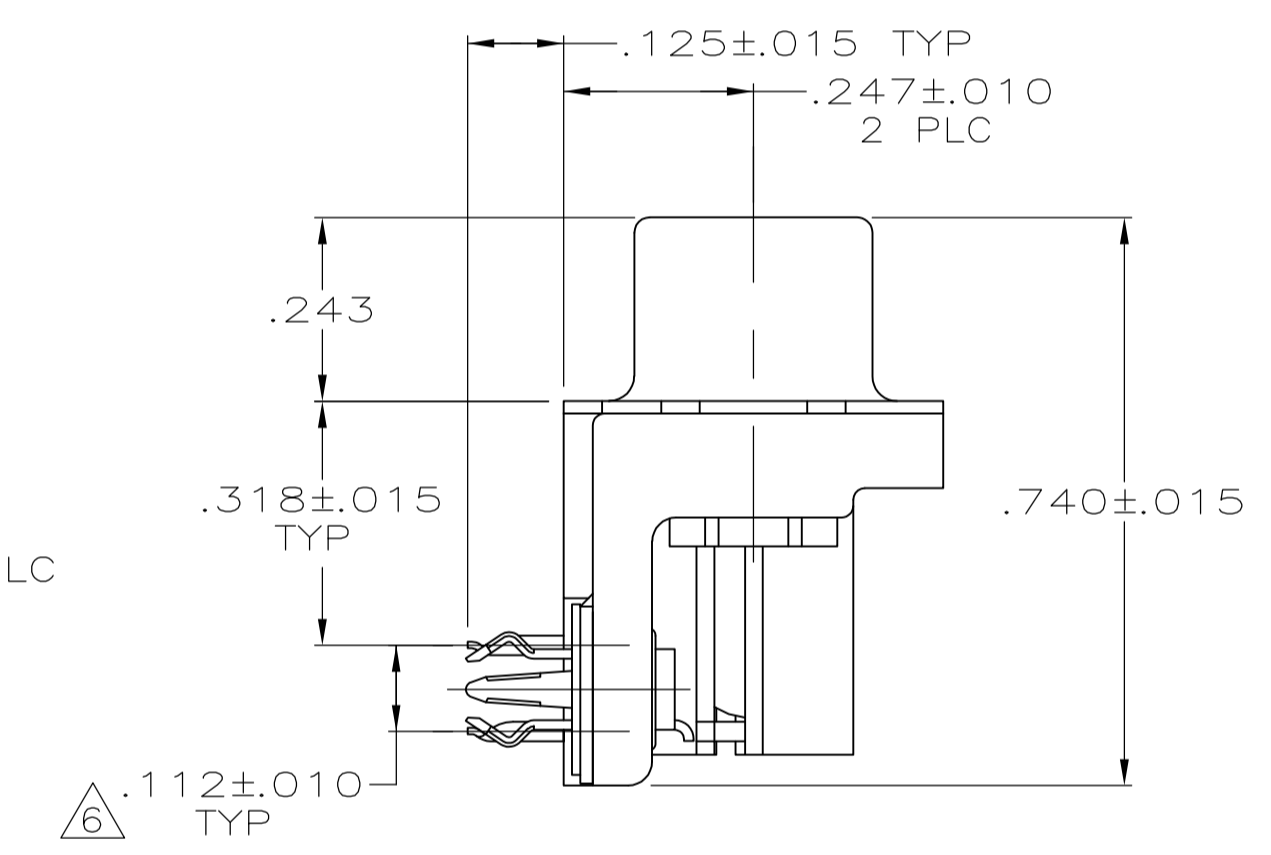
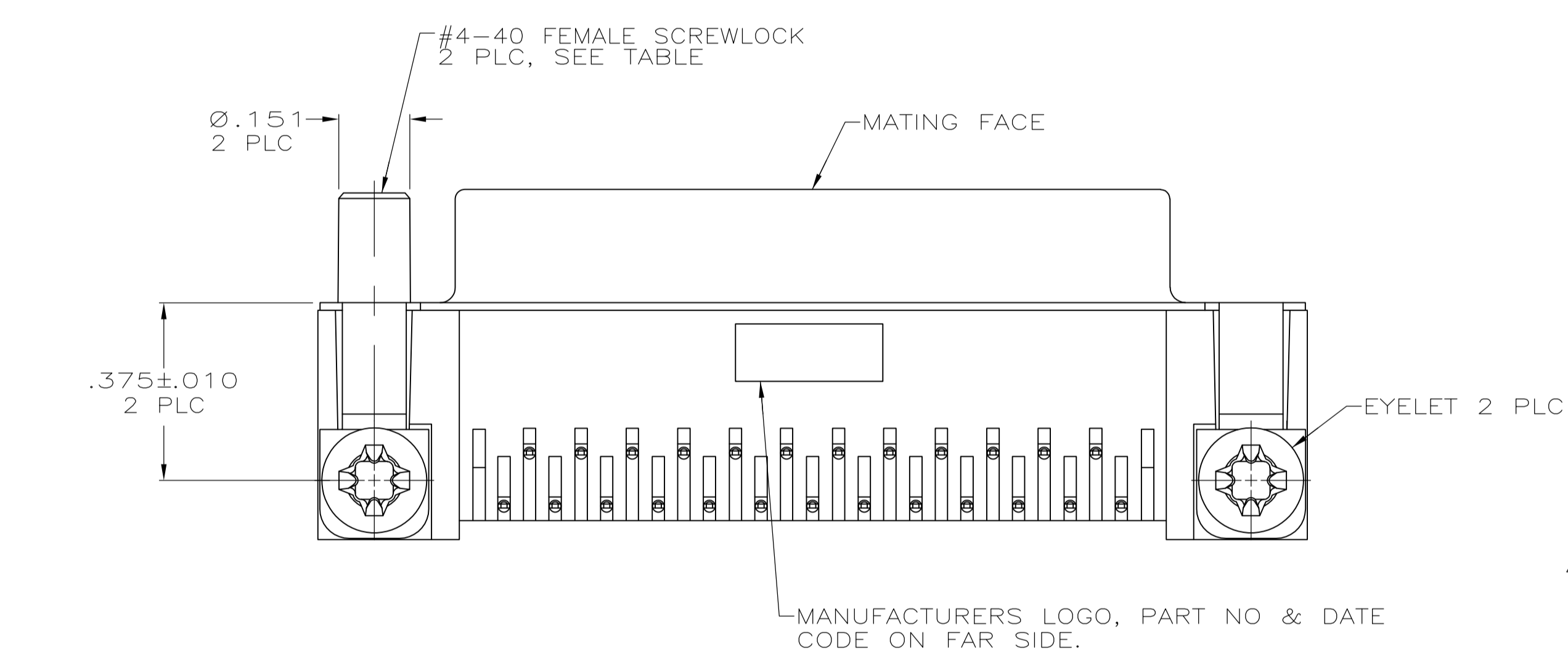
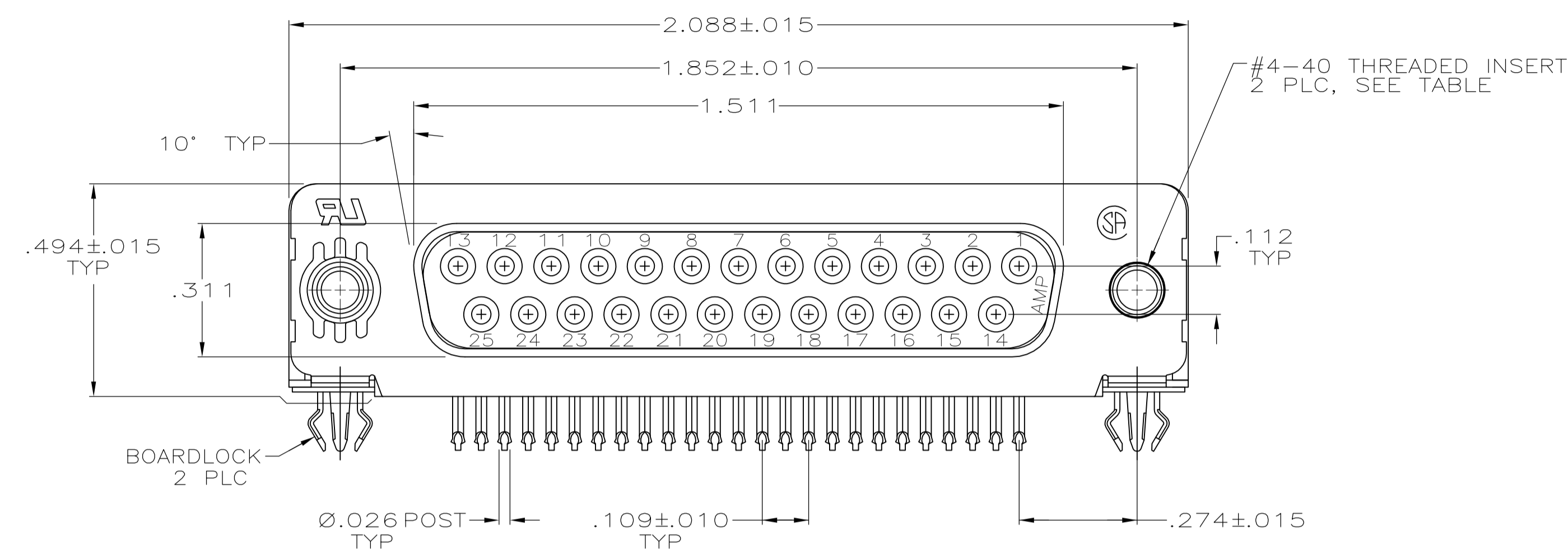


LOC		DIST		REVISIONS			
P	LTR	DESCRIPTION	DATE	DWN	APVD		
P		REVISED PER ECO-11-004835	11MAR11	RK	HMR		



- CONNECTOR MATES WITH ANY 25 POSN PLUG IN AMPLIMITE SERIES.
- MOLDED PARTS: FLAME RETARDANT 94V-0 RATED THERMOPLASTIC, BLACK. SHELL: CARBON STEEL. CONTACTS: PHOSPHOR BRONZE.. EYELETS: BRASS. SCREWLOCKS: ZINC. INSERTS: ZINC. BOARDLOCKS: BRASS.
- SHELL: .000100 MIN TIN OVER .000100 MIN COPPER.. CONTACTS: SEE TABLE. EYELETS: .000100 MIN TIN OVER COPPER FLASH. BOARDLOCKS: .000150 MIN TIN OVER .000050 MIN NICKEL.. INSERTS AND SCREWLOCKS: CLEAR CHROMATE.
- GOLD FLASH FOR A DISTANCE OF .100 MIN FROM MATING END, .000100 MIN TIN ON TERMINATION END, ALL OVER .000050 MIN NICKEL ON ENTIRE CONTACT.
- .000030 MIN GOLD FOR A DISTANCE OF .100 MIN FROM MATING END, .000100 MIN TIN ON TERMINATION END, ALL OVER .000050 MIN NICKEL ON ENTIRE CONTACT.
- DIMENSION APPLIES FROM CENTER OF CONTACTS.

FEMALE SCREWLOCKS	△5	5747846-6
FEMALE SCREWLOCKS	△4	5747846-5
THREADED INSERTS	△5	5747846-4
THREADED INSERTS	△4	5747846-3
.125 DIA HOLES	△5	5747846-2
MOUNTING HARDWARE	CONTACT FINISH	PART NUMBER

**COPYRIGHT 2005
TE CONNECTIVITY CORP
ALL RIGHTS RESERVED**

DIMENSIONS:		TOLERANCES UNLESS OTHERWISE SPECIFIED:		MATERIAL:		FINISH:	
INCHES		0 PLC	± -	△2		△3	
		1 PLC	± -				
		2 PLC	± -				
		3 PLC	± .005				
		4 PLC	± -				
		ANGLES	± °				

THIS DRAWING IS A CONTROLLED DOCUMENT.		DIN L VARELA - DOCKS 04-06-05		TE Connectivity	
APVD S BOLASH 04-06-05		NAME M WALMSLEY 04-06-05		RECEPTACLE ASSEMBLY, SIZE 3, 25 POSITION, RIGHT ANGLE, FRONT METAL SHELL, .318 SERIES, .026 DIA POSTS, BOARDLOCKS, AMPLIMITE HD-20	
PRODUCT SPEC 108-40025		APPLICATION SPEC 114-40010		SIZE CAGE CODE DRAWING NO A1 00779 C=5747846	
WEIGHT -		SCALE 4:1		SHEET 1 of 1 REV P	
CUSTOMER DRAWING					